



03540168

Edition 5

April 2017

Air Screwdriver

Models LA412, LA412-EU, LA439 and LA439-EU

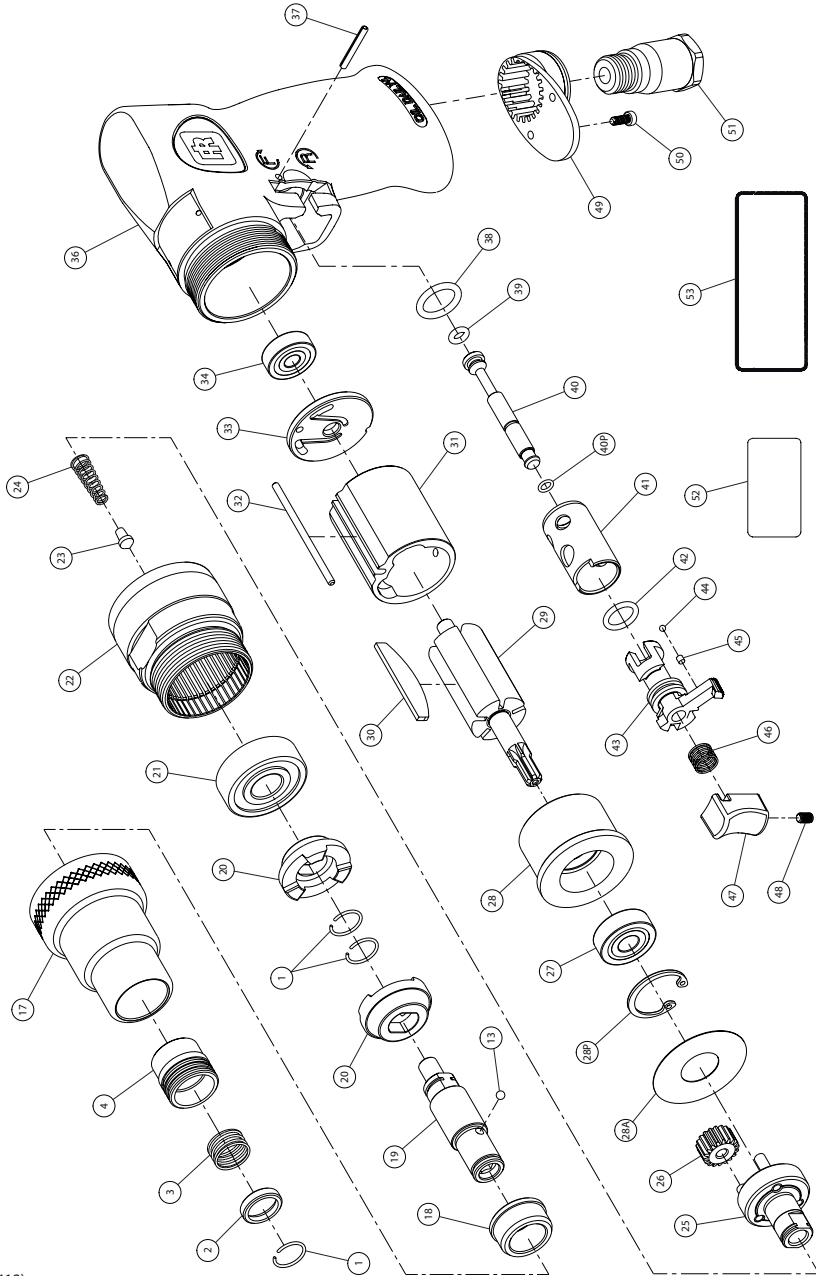
Parts Information



Save These Instructions

IR Ingersoll Rand®

Models LA412 and LA412-EU Air Screwdriver - Exploded View

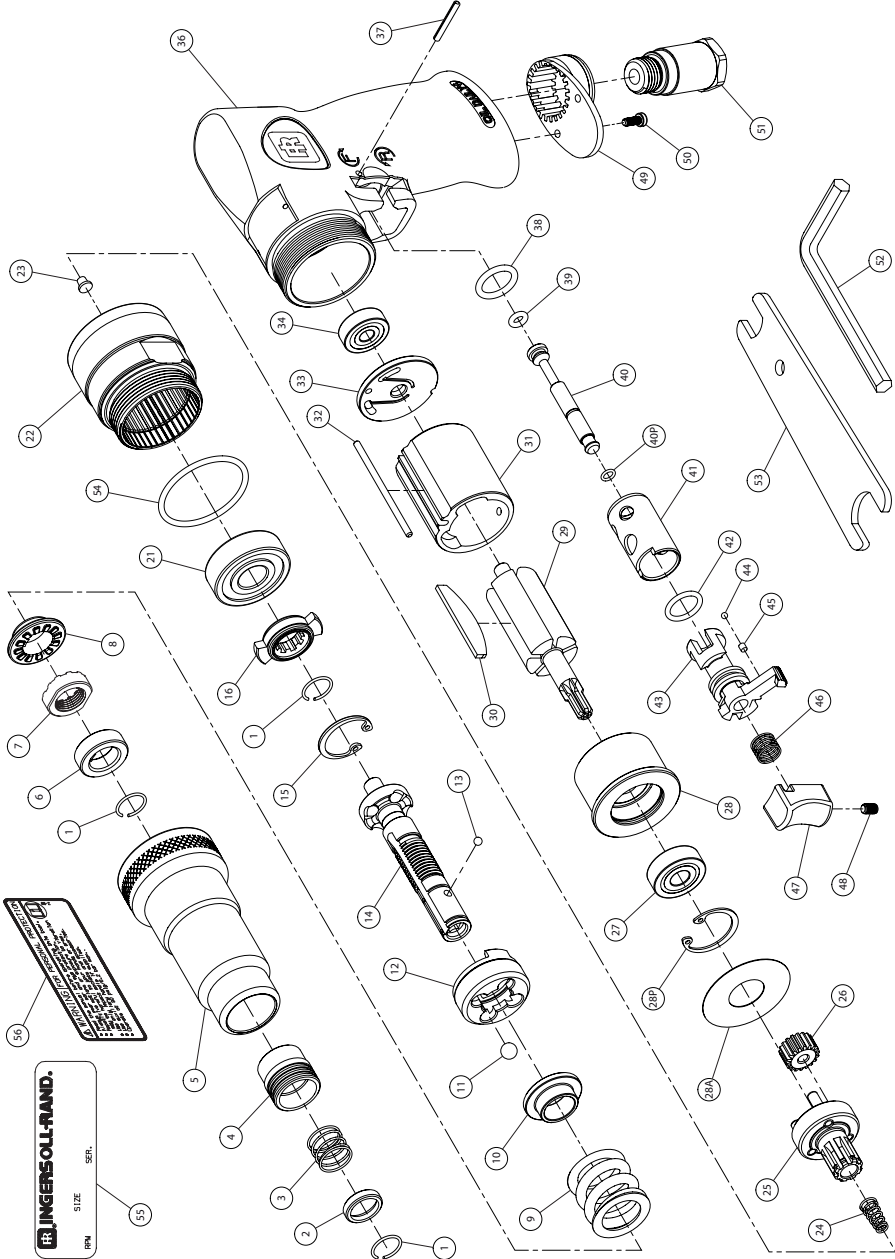


(Dwg. LA412)

Models LA412 and LA412-EU Air Screwdriver - Parts List

Item	Part Description	Part Number	Item	Part Description	Part Number
1	Retaining Ring (3)	LA412-1	32	Motor Pin (3)	LA412-98
2	Washer	LA412-2	33	Rear End Plate	LA412-12
3	Spring	LA412-4	34	Ball Bearing	LA412-61
4	Ball Releaser	LA412-931	36	Motor Housing	LA412-40
13	Steel Ball	LA412-13	37	Pin	LA412-64
17	Clutch Housing	LA412-580	38	O-Ring	LA412-65
18	Clutch Bushing	LA412-19	39	O-Ring	LA412-66
19	Output Spindle	LA412-20	40	Throttle Valve	LA412-302
20	Drive Dog (2)	LA412-589	40P	O-Ring	LA412-9
21	Ball Bearing	LA412-22	41	Reverse Valve Bushing	LA412-330
22	Gear Housing	LA412-37	42	O-Ring	LA412-67
23	Spring Guide	LA412-24	43	Reverse Valve	LA412-329
24	Spring	LA412-583	44	Steel Ball	LA412-79
25	Planet Carrier	LA412-191	45	Detent Rubber	LA439-77
26	Planet Gear (3)	LA412-10	46	Spring	LA412-51
27	Ball Bearing	LA412-97	47	Trigger	LA412-93
28	Front End Plate	LA412-11	48	Screw	LA412-8
28A	Washer	LA412-91	49	Exhaust Deflector	LA412-301
28P	Retaining Ring	LA412-92	50	Screw (2)	LA412-70
29	Rotor	LA412-53	51	Inlet Bushing	LA412-565
30	Rotor Blade (5)	LA412-42	52	Nameplate	LA412-301
31	Cylinder	LA412-3	53	Warning Label	EU-99

Models LA439 and LA439-EU Air Screwdriver - Exploded View



(Dwg. LA439)

Models LA439 and LA439-EU Air Screwdriver - Parts List

Item	Part Description	Part Number	Item	Part Description	Part Number
1	Retaining Ring (3)	LA412-1	30	Rotor Blade (5)	LA412-42-5
2	Washer	LA412-2	31	Cylinder	LA412-3
3	Spring	LA412-4	32	Motor Pin	LA412-98
4	Ball Releaser	LA412-931	33	Rear End Plate	LA412-12
5	Clutch Housing	LA413-580	34	Ball Bearing	LA412-61
6	Sleeve Bearing	LA413-86	36	Motor Housing	LA412-40
7	Adjusting Nut	LA413-85	37	Pin	LA412-64
8	Washer	LA413-84	38	O-Ring	LA412-65
9	Spring	LA413-83	39	O-Ring	LA412-66
10	Ball Seat	LA413-82	40	Throttle Valve	LA412-302
11	Steel Ball (4)	LA413-81	40P	O-Ring	LA412-9
12	Clutch Carrier	LA413-80	41	Reverse Valve Bushing	LA412-330
13	Steel Ball	LA413-79	42	O-Ring	LA412-67
14	Cam Spindle	LA413-78	43	Reverse Valve	LA412-329
15	Retaining Ring	LA413-76	44	Steel Ball	LA412-79
16	Drive Dog	LA412-588	45	Detent Rubber	LA439-77
21	Ball Bearing	LA412-22	46	Spring	LA412-51
22	Gear Housing	LA412-37	47	Trigger	LA412-93
23	Spring Guide	LA412-24	48	Screw	LA439-8
24	Spring	LA413-70	49	Exhaust Deflector	LA412-123
25	Carrier	LA413-191	50	Screw (2)	LA412-70
26	Planet Gear (3)	LA412-10	51	Air Inlet	LA412-565
27	Ball Bearing	LA412-97	52	Hex Wrench	LA439-26
28	Front End Plate	LA412-11	53	Wrench	LA439-69
28A	Washer	LA412-91	54	O-Ring	LA439-66
28P	Retaining Ring	LA412-92	55	Label	LA439-301
29	Rotor	LA412-53	56	Warning Label	EU-99

Parts and Maintenance

When tool life has expired, it is recommended that the tool be disassembled, degreased and parts separated by material for proper recycling. Tool repair and maintenance should only be carried out by an authorized Service Center. Refer all communications to the nearest **Ingersoll Rand** office or distributor.

Related Documentation

Manuals can be downloaded from ingersollrandproducts.com

For additional information, refer to:

Air Screwdriver Product Safety Information Manual 04585006.

Air Screwdriver Product Information Manual 80160179.

ingersollrandproducts.com

© 2017 *Ingersoll Rand*

